

Amphibian

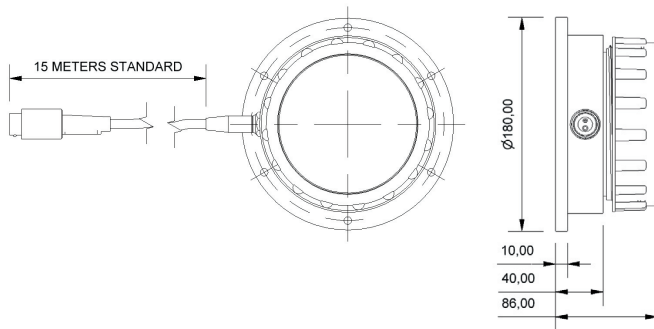
Wet-Dry lighting for operation in or out of water



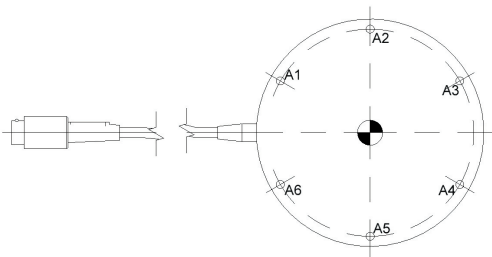
Amphibian is a robust underwater/out of water lighting system designed to withstand the full force of an active river. The LEDs are purposely designed to provide changeable lifestyle mood lighting for aquatic displays and architectural features such as waterways, canals, rapids, jetties, ponds, fountains and swimming pools.

SPECIFICATION

- > LEDs 9 cluster formation. Dimmable RGB constant current driver supplied (IR or IF remote control included). Up to 3 luminaires can be operated off a single driver. Available in RGB or white
- > Programmable cycles 3 presets; rainbow, warm colours, cold colours. Also user programmable
- > Housing Robust black hard anodised aluminium
- > Bezel Aluminium bronze
- > Lense 15mm thick borosilicate glass
- > Connector 6 pin submersible connector
- > Cable 15m neoprene supplied as standard
- > Operational depth Down to 40m
- > Operational life Up to 50,000 hours expectancy
- > Optical beam angle -6, 10, 15, 25 degrees or 8 x 25 degrees
- > Power output 9W
- > Running current 350mA
- > Running voltage 24V DC
- > Input voltage 230/240V AC



MOUNTING HOLES



Hole Table			
HOLE	XDIM	YDIM	DESCRIPTION
A1	-71,01	41,00	Ø6,60 THRU
A2	0,00	82,00	Ø6,60 THRU
A3	71,01	41,00	Ø6,60 THRU
A4	71,01	-41,00	Ø6,60 THRU
A5	0,00	-82,00	Ø6,60 THRU
A6	-71,01	-41,00	Ø6,60 THRU

