

Power & Signal Transfer Units SPB02

These packaged units have been designed to provide an economical and more compact solution to the problem of transferring power or a combination of power and signals between a static & rotating interface. Signal rings may be precious metal plated for low noise applications. Our standard range of slip rings and brushgear (up to a rating of 35 amps maximum continuous load per way, 690V a/c phase rings and 400V a/c earth/ground rings) can be accommodated, and the aluminium enclosure is fully dust and weatherproofed to I.P. 65, when the mounting flange is correctly sealed. Mounting flanges can be designed to suit customers' requirements. Special units can be offered for applications with higher power.

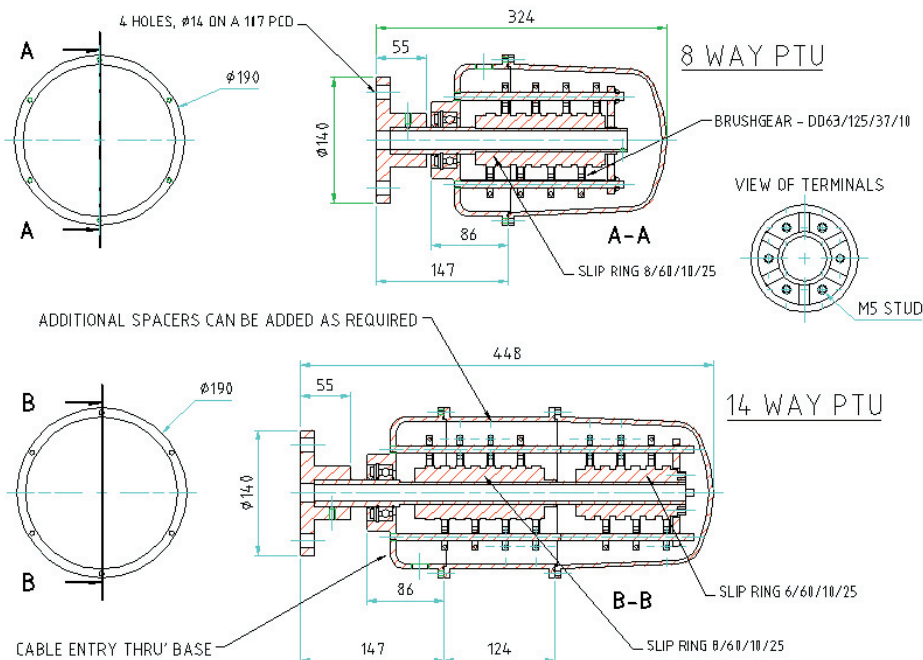
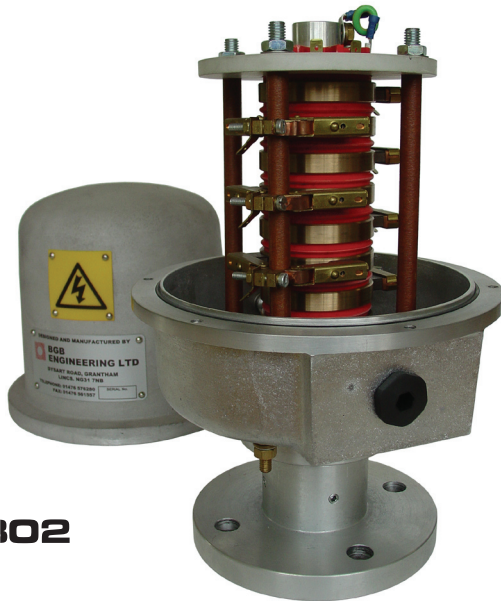
Enquiries for these units should include the following information:-

- > Number of ways required
- > Load per ring (amps and voltage) or details of signals to be carried by slip rings
- > Speed of rotation
- > Mounting flange required and cable gland entry
- > Ambient working temperature
- > Cable gland entries required in base
- > Voltage should anti-condensation heater be required
- > Whether pre-wired units or quick disconnect plugs & sockets are required
- > Whether rhodium plating is required for longevity

NB. Details of units with more than 14 Ways, for applications with larger loads & voltages are available on Datasheet No.13 - SPB01.

*** If you require spade terminals, please refer to the spade terminal datasheet. Current rating must also be supplied with order.**

SPB02



NB: Inside shaft diameter 18mm