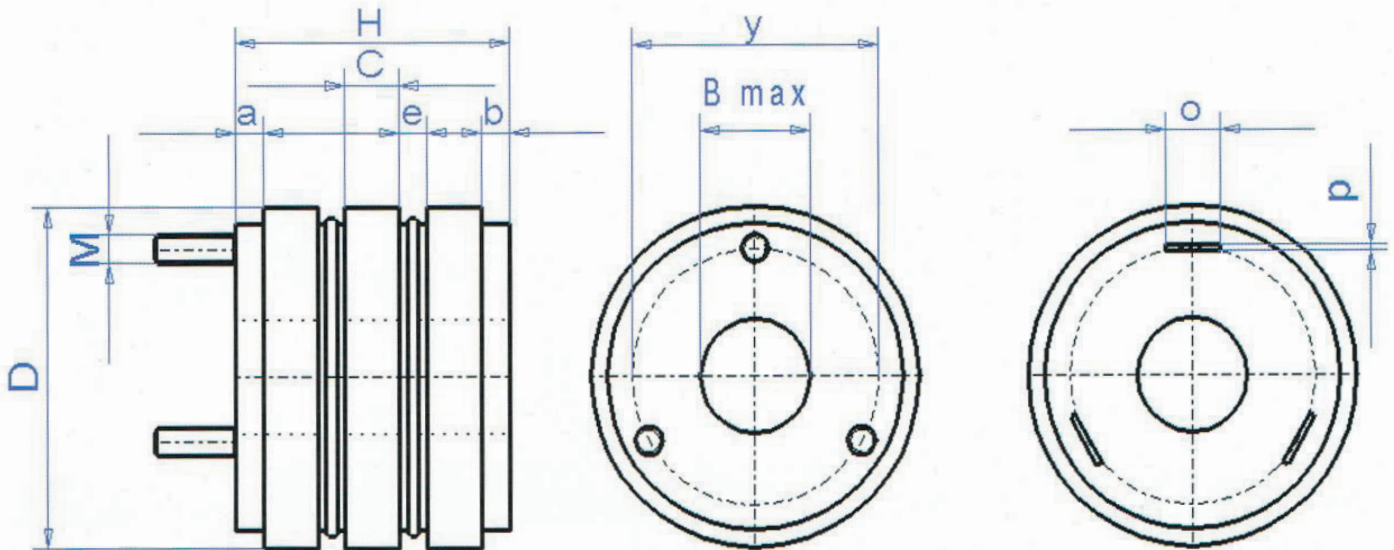


BGB Slip Ring Enquiry Guide - (Please State Application)



No. of Rings	
C Width of Ring	
e Distance Between Rings	
D Diameter of Rings	
B Diameter of Bore	
b Width of Rear Extension	
a Width of Front Extension	
Dia. Over Insulation Bush	
H Overall Length	
Stud Size	
Working Voltage	
Current rating (rotor)	
Maximum Speed	
Quantity Required	