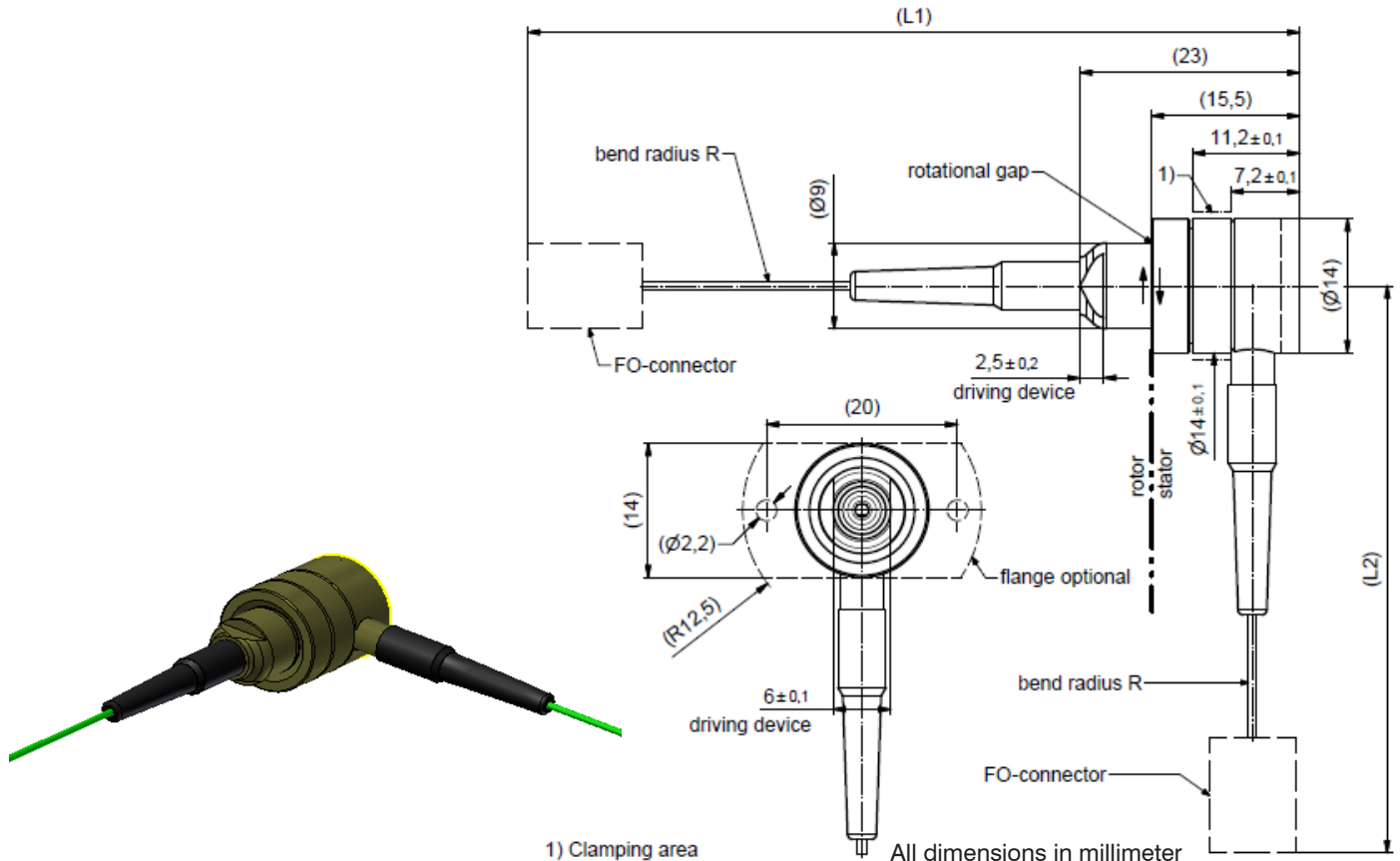


Optilinc

Multimode 1 Channel FC-PC / FC-PC Fibre Optic Rotary Joint (FORJ)



Fibre optic channel characteristics

Channels	1 CH	
Channel designation	1	
FO connector / material (axial / radial)	FC-PC / ceramic - FC-PC / ceramic	
Fibre type	Multimode G50 / 125 μ m / 900 μ m buffer	
Fibre length (L1 / L2)	4500 \pm 150 mm / 4500 \pm 150 mm	
Long term bend radius, min. (R)	30 mm	
Wavelength	850 nm	1300 nm
Average power capability, max.	10 mW / 10 dBm	
Insertion loss, max.	4.0 dB	2.0 dB
Insertion loss variation over rotation, max.	1.0 dB	

Multimode 1 Channel FC-PC / FC-PC Fibre Optic Rotary Joint (FORJ)

Continued...

Mechanical characteristics

Rotating speed rotor, max. / nominal	3000 rpm / 2000 rpm
Rotating speed stator, max. / nominal	150 rpm / 100 rpm
Life, min.	200 x 10 ⁶ revolutions
Torque (room temperature), max.	0.06 Nm @ rotation
Interface loads, max.	no loads allowed
Case material	copper alloy, corrosion resistant
Case surface finish	no finish
IP protection level	IP54 per EN 60529 (all interfaces connected with appropriate gaskets)
Weight, approx.	0.06 kg
Marking	laser engraving

Environmental conditions

Operation

Ambient temperature range	-40 °C to +85 °C
Relative humidity, max.	95% (non-condensing)

Storage

Ambient temperature range	-40 °C to +85 °C
Relative humidity, max.	95% (non-condensing)