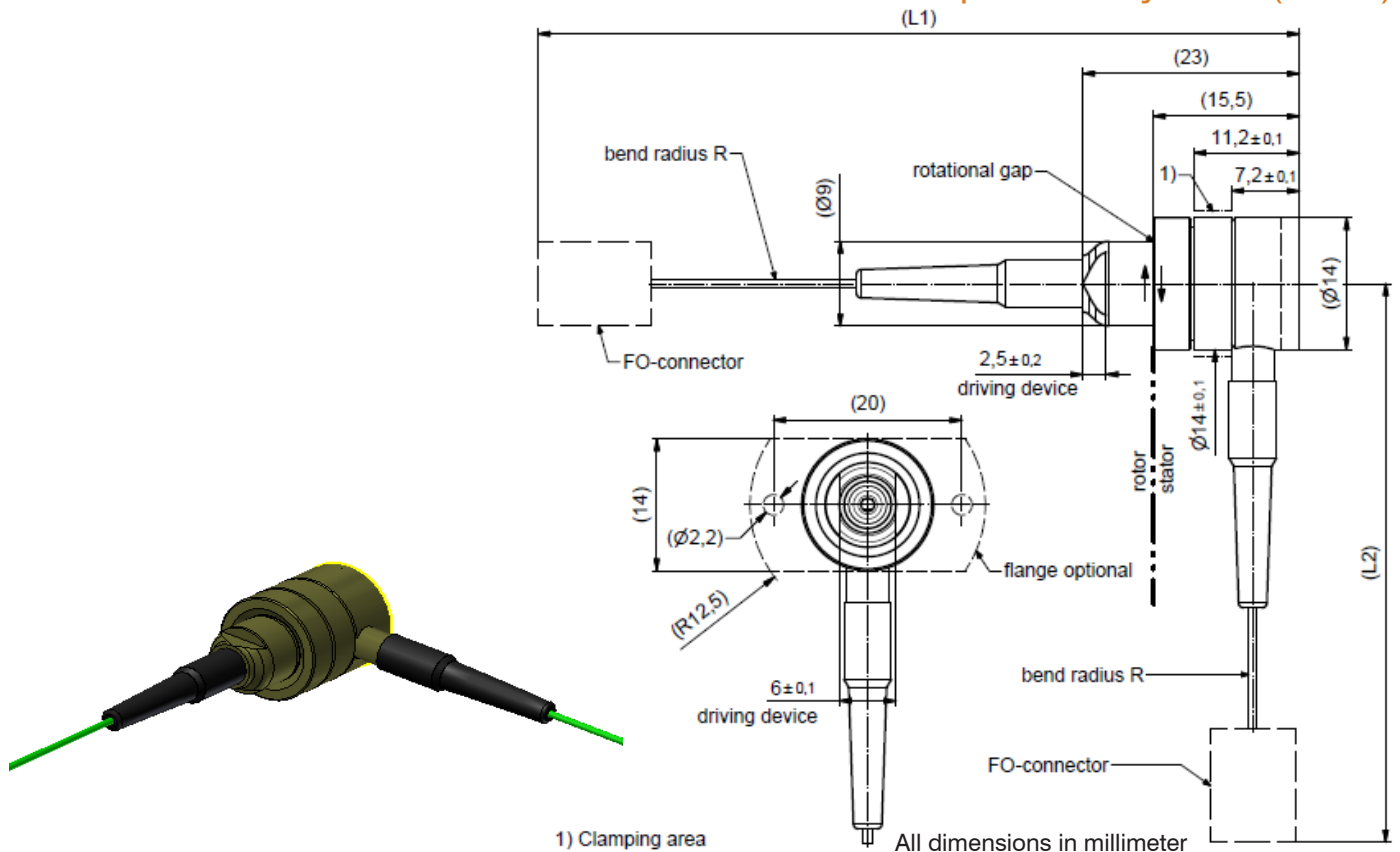


Optilinc

Singlemode 1 Channel LC-APC / LC-APC Fibre Optic Rotary Joint (FORJ)



Fibre optic channel characteristics

| | |
|--|--|
| Channels | 1 CH |
| FO connector / material (axial / radial) | LC-APC / ceramic - LC-APC / ceramic |
| Fibre type | Singlemode E9 / 125 μm / 900 μm buffer |
| Fibre length (L1 / L2) | 1500 ± 100 mm / 1500 ± 100 mm |
| Long term bending Radius, min. R | 30 mm |
| Wavelength | 1310 nm / 1550 nm |
| Average power capability, max. | 200 mW / 23 dBm |
| Return loss, min. / typ. | 50 dB / 55 dB |
| Insertion loss, max. / typ. | 3.0 dB / 2.0 dB |
| Insertion loss variation over rotation, max. | 1.0 dB |

Singlemode 1 Channel LC-APC / LC-APC Fibre Optic Rotary Joint (FORJ)

Continued...

Mechanical characteristics

| | |
|---------------------------------------|---|
| Rotating speed rotor, max. / nominal | 3000 rpm / 2000 rpm |
| Rotating speed stator, max. / nominal | 150 rpm / 100 rpm |
| Life, min. | 200 x 10 ⁶ revolutions |
| Torque (room temperature), max. | 0.06 Nm @ rotation |
| Interface loads, max. | no loads allowed |
| Case material | copper alloy, corrosion resistant |
| Case surface finish | no finish |
| IP protection level | IP54 per EN 60529 (all interfaces connected with appropriate gaskets) |
| Weight, approx. | 0.06 kg |
| Marking | laser engraving |

Environmental conditions

Operation

| | |
|---------------------------|----------------------|
| Ambient temperature range | -40 °C to +85 °C |
| Relative humidity, max. | 95% (non-condensing) |

Storage

| | |
|---------------------------|----------------------|
| Ambient temperature range | -40 °C to +85 °C |
| Relative humidity, max. | 95% (non-condensing) |