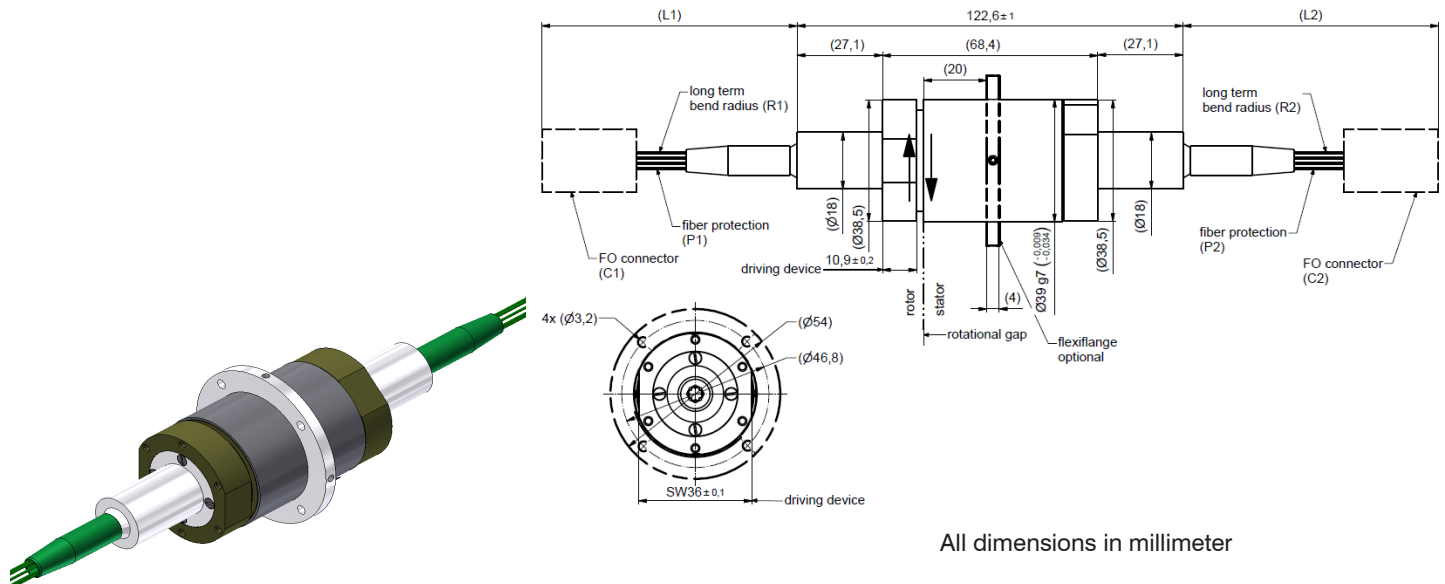


# Optilinc

## Singlemode 8 Channel LC-APC / LC-APC Fibre Optic Rotary Joint (FORJ)



### Fibre optic channel characteristics

Channels	8 CH
Channel designation	1 to 8
Fibre type	Singlemode E9 / 125 $\mu$ m
Side	Rotor / Stator
FO connector (C1 / C2)	LC-APC / LC-APC
Fibre protection (P1 / P2)	buffer 0.9 mm / buffer 0.9 mm
Fibre length (L1 / L2)	4500 $\pm$ 150 mm / 4500 $\pm$ 150 mm
Long term bend radius, min. (R1 / R2)	30 mm / 30 mm
Wavelength	1310 nm / 1550 nm
Average power capability, max.	200 mW / 23 dBm
Return loss, min. / typ.	50 dB / 55 dB
Insertion loss, max.	3.5 dB
Insertion loss variation over rotation, max.	1.5 dB
Cross talk attenuation, min.	50 dB (between all channels)

## Singlemode 8 Channel LC-APC / LC-APC Fibre Optic Rotary Joint (FORJ)

Continued...

### Mechanical characteristics

Rotating speed, max. / nominal	150 rpm / 100 rpm
Life, min.	200 x 10 <sup>6</sup> revolutions
Torque (room temperature), max.	0.15 Nm @ rotation
Interface loads, max.	±0.4 Nm bending moment
Case material	stainless steel, copper alloy, aluminum alloy, corrosion resistant
Case surface finish	no finish
IP protection level	IP65 per EN 60529 (all interfaces connected with appropriate gaskets)
Weight, approx.	0.9 kg
Marking	adhesive label

### Environmental conditions

#### Operation

Ambient temperature range	-40 °C to +85 °C
Relative humidity, max.	95% (non-condensing)

#### Storage

Ambient temperature range	-40 °C to +85 °C
Relative humidity, max.	95% (non-condensing)