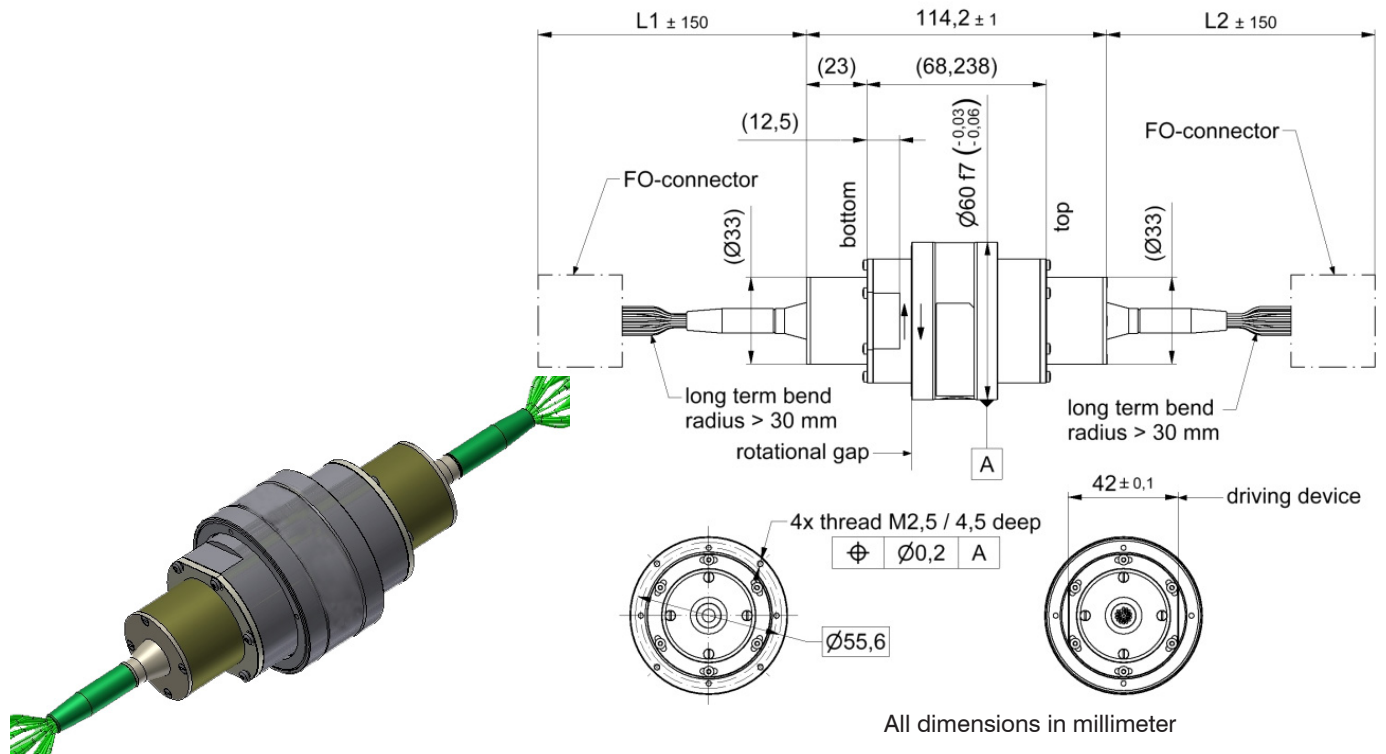


# Optilinc

## Multimode 20 Channel FC-PC Fibre Optic Rotary Joint (FORJ)



### Fibre optic channel characteristics

Channels	20 CH
Channel designation	1 to 7 / 8 to 20
FO connector / material	FC-PC / ceramic
Fibre type	Multimode G50 / 125µm / 900 µm buffer
Fibre length (L1 / L2)	1500 mm / 1500 mm
Wavelength	850 nm / 1300 nm
Average power capability, max.	10 mW / 10 dBm
Insertion loss, max.	3.5 dB / 5.5 dB
Insertion loss variation over rotation, max.	1.5 dB
Cross talk, min.	50 dB (between all channels)

## Multimode 20 Channel FC-PC Fibre Optic Rotary Joint (FORJ)

Continued...

### Mechanical characteristics

Rotating speed, max. / nominal	150 rpm / 100 rpm
Life, min.	20 x 10 <sup>6</sup> revolutions <sup>F01)</sup>
Torque (room temperature), max.	0.15 Nm @ rotation
Interface loads, max.	±0.4 Nm bending moment
Case material	stainless steel and copper alloy, corrosion resistant
Case surface finish	no finish
IP protection level	IP50 per EN 60529 (all interfaces connected with appropriate gaskets)
Weight, approx.	1.5 kg
Marking	adhesive label

### Environmental conditions

#### Operation

Ambient temperature range	-40 °C to +85 °C
Relative humidity, max.	95% (non-condensing)
Shock	30 g / 11 ms half sine, 3 shocks in each direction of 3 orthogonal axes
Vibration	6 to 17 m/s <sup>2</sup> rms, 5.1 to 480 Hz, in three orthogonal axis

#### Storage

Ambient temperature range	-40 °C to +85 °C
Relative humidity, max.	95% (non-condensing)