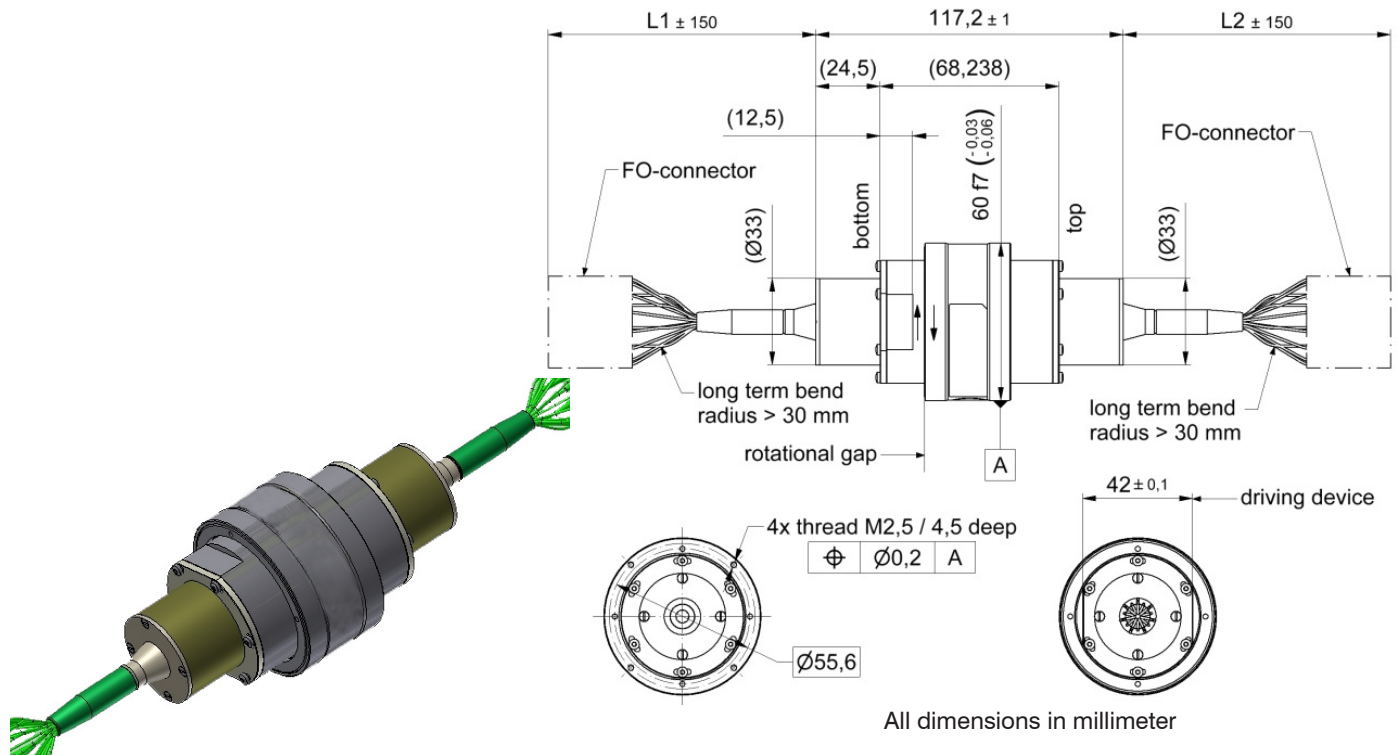


# Optilinc

## Singlemode 12 Channel LC-APC Fibre Optic Rotary Joint (FORJ)



### Fibre optic channel characteristics

Channels	12 CH
Channel designation	1 to 12
FO connector / material	LC-APC / ceramic
Fibre type	Singlemode E9 / 125 $\mu$ m / 900 $\mu$ m buffer
Fibre length (L1 / L2)	1500 mm / 1500 mm
Wavelength	1310 nm / 1550 nm
Average power capability, max.	200 mW / 23 dBm
Return loss, min. / typ.	50 dB / 55 dB
Insertion loss, max.	3.5 dB
Insertion loss variation over rotation, max.	1.5 dB
Cross talk, min.	50 dB (between all channels)

## Singlemode 12 Channel LC-APC Fibre Optic Rotary Joint (FORJ)

Continued...

### Mechanical characteristics

Rotating speed, max. / nominal	150 rpm / 100 rpm
Life, min.	20 x 10 <sup>6</sup> revolutions <sup>F01</sup> )
Torque (room temperature), max.	0.15 Nm @ rotation
Interface loads, max.	±0.4 Nm bending moment
Case material	stainless steel and copper alloy, corrosion resistant
Case surface finish	no finish
IP protection level	IP50 per EN 60529 (all interfaces connected with appropriate gaskets)
Weight, approx.	1.5 kg
Marking	adhesive label

### Environmental conditions

#### Operation

Ambient temperature range	-40 °C to +85 °C
Relative humidity, max.	95% (non-condensing)
Shock	30 g / 11 ms half sine, 3 shocks in each direction of 3 orthogonal axes
Vibration	6 to 17 m/s <sup>2</sup> rms, 5.1 to 480 Hz, in three orthogonal axis

#### Storage

Ambient temperature range	-40 °C to +85 °C
Relative humidity, max.	95% (non-condensing)