

# PARATEC® Brush Holders

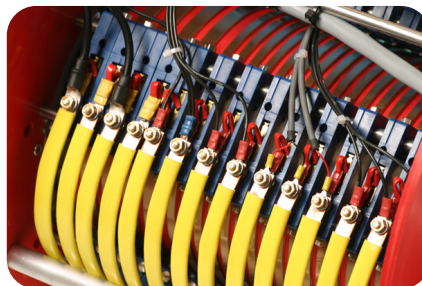
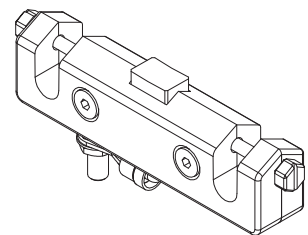
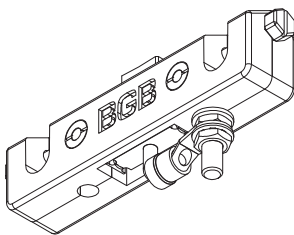
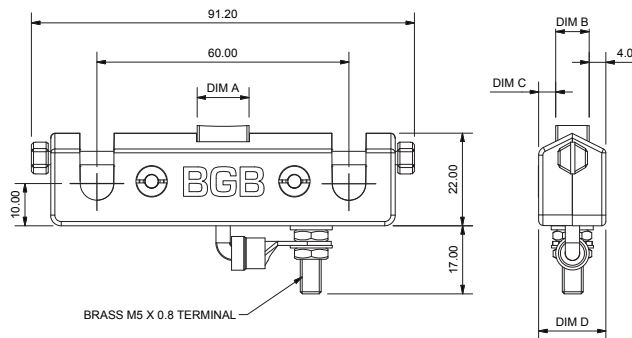


Parallel action brush systems provide high contact integrity and system stability for both signal and power applications. The non-metallic body ensures suitability for operation in corrosive environments (such as marine) whilst captive screws improve serviceability.

We now fit this product as standard for specific applications to eliminate the problem of fretting corrosion which can occur with conventional metallic brush holders.

Paratec's success has warranted its name being trademarked.

Reference	Brush Material	Dim A	Dim B	Dim C	Dim D	Max Ampage
GA4270-11	CU	12.5mm	4mm	5mm	13mm	10A
GA4270-33	CU	12.5mm	6mm	3mm	13mm	15A
GA4270-55	CU	12.5mm	8mm	4mm	16mm	20A
GA4270-22	AG	12.5mm	4mm	5mm	13mm	15A
GA4270-44	AG	12.5mm	6mm	3mm	13mm	22A
GA4270-66	AG	12.5mm	8mm	4mm	16mm	30A



*\*PARATECs used in a slip ring package for the Wind Turbine industry*