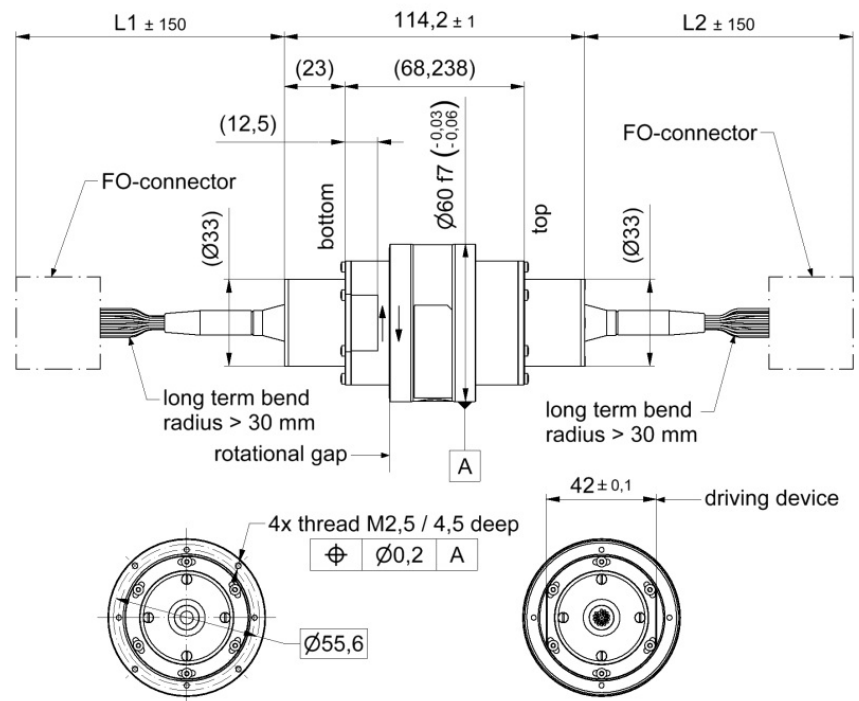
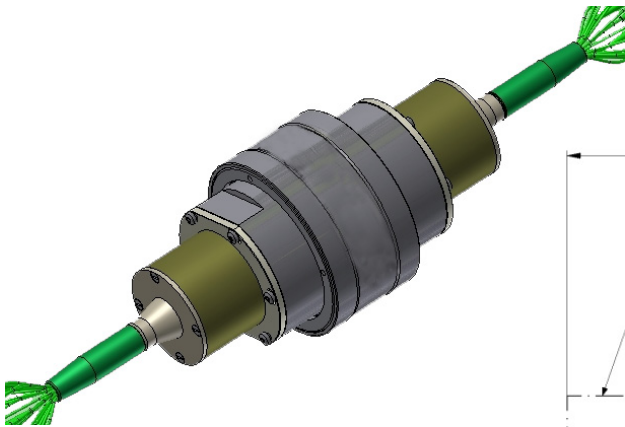


Multimode 20 Channel FC-PC FORJ



All dimensions in millimeter

Fibre optic channel characteristics

| | |
|--|---------------------------------------|
| Channels | 20 CH |
| Channel designation | 1 to 7 / 8 to 20 |
| FO connector / material | FC-PC / ceramic |
| Fibre type | Multimode G50 / 125µm / 900 µm buffer |
| Fibre length (L1 / L2) | 1500 mm / 1500 mm |
| Wavelength | 850 nm / 1300 nm |
| Average power capability, max. | 10 mW / 10 dBm |
| Insertion loss, max. | 3.5 dB / 5.5 dB |
| Insertion loss variation over rotation, max. | 1.5 dB |
| Cross talk, min. | 50 dB (between all channels) |

Continued...

Multimode 20 Channel FC-PC FORJ

Mechanical characteristics

| | |
|---------------------------------|---|
| Rotating speed, max. / nominal | 150 rpm / 100 rpm |
| Life, min. | 20 x 10 ⁶ revolutions ^{F01)} |
| Torque (room temperature), max. | 0.15 Nm @ rotation |
| Interface loads, max. | ±0.4 Nm bending moment |
| Case material | stainless steel and copper alloy, corrosion resistant |
| Case surface finish | no finish |
| IP protection level | IP50 per EN 60529 (all interfaces connected with appropriate gaskets) |
| Weight, approx. | 1.5 kg |
| Marking | adhesive label |

Environmental conditions

Operation

| | |
|---------------------------|---|
| Ambient temperature range | -40 °C to +85 °C |
| Relative humidity, max. | 95% (non-condensing) |
| Shock | 30 g / 11 ms half sine, 3 shocks in each direction of 3 orthogonal axes |
| Vibration | 6 to 17 m/s ² rms, 5.1 to 480 Hz, in three orthogonal axis |

Storage

| | |
|---------------------------|----------------------|
| Ambient temperature range | -40 °C to +85 °C |
| Relative humidity, max. | 95% (non-condensing) |