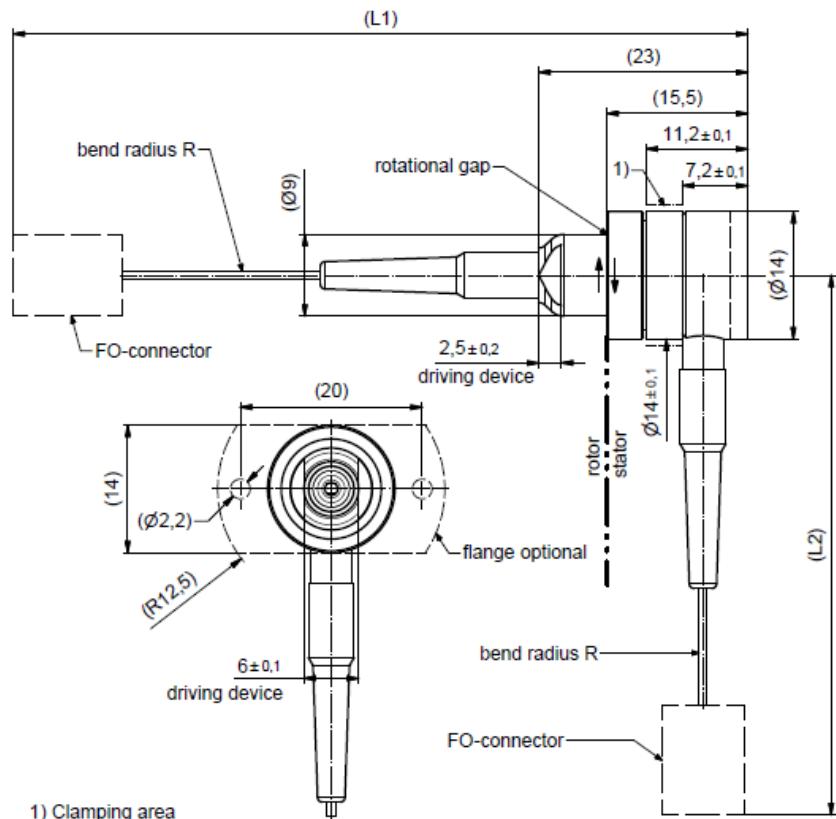


Singlemode 1 Channel LC-APC / LC-APC L-Type FORJ



1) Clamping area

All dimensions in millimeter

Fibre optic channel characteristics

Channels	1 CH
FO connector / material (axial / radial)	LC-APC / ceramic - LC-APC / ceramic
Fibre type	Singlemode E9 / 125 µm / 900 µm buffer
Fibre length (L1 / L2)	1500 ±100 mm / 1500 ±100 mm
Long term bending Radius, min. R	30 mm
Wavelength	1310 nm / 1550 nm
Average power capability, max.	200 mW / 23 dBm
Return loss, min. / typ.	50 dB / 55 dB
Insertion loss, max. / typ.	3.0 dB / 2.0 dB
Insertion loss variation over rotation, max.	1.0 dB

Continued...

**Singlemode 1 Channel
LC-APC / LC-APC L-Type
FORJ**

Continued...

Mechanical characteristics

Rotating speed rotor, max. / nominal	3000 rpm / 2000 rpm
Rotating speed stator, max. / nominal	150 rpm / 100 rpm
Life, min.	200 x 10 ⁶ revolutions
Torque (room temperature), max.	0.06 Nm @ rotation
Interface loads, max.	no loads allowed
Case material	copper alloy, corrosion resistant
Case surface finish	no finish
IP protection level	IP54 per EN 60529 (all interfaces connected with appropriate gaskets)
Weight, approx.	0.06 kg

Environmental conditions

Operation

Ambient temperature range	-40 °C to +85 °C
Relative humidity, max.	95% (non-condensing)

Storage

Ambient temperature range	-40 °C to +85 °C
Relative humidity, max.	95% (non-condensing)